

WH BK

Axilar mini

- Multiple combo design in trim with frame and trimless with no frame.
- Design in 20W and 10W in option, medium beam and flood beam in option.
- Free in all direction with 30 degree tilt, open air ventilation design reduce the operation temperature.
- Good choice for shop and retail business.

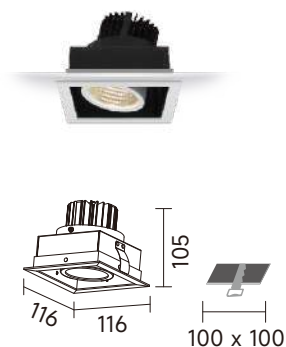


24°



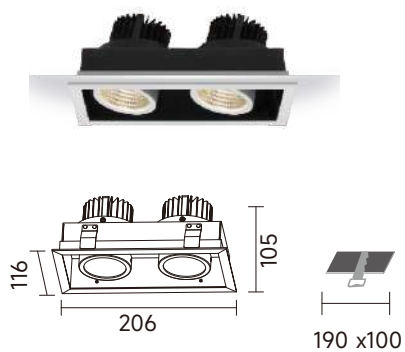
38°

DALI TRIAC LED IP20 0-10V RA>80 RA>90



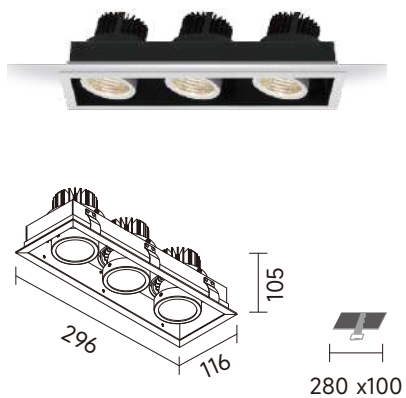
CODE	Watts	CCT	Beam	Lumen
85516-102M	10W	WL 2700K	24°	1017 lm
85516-102L	10W	WL 2700K	38°	905 lm
85516-103M	10W	WL 3000K	24°	1049 lm
85516-103L	10W	WL 3000K	38°	933 lm
85516-104M	10W	NL 4000K	24°	1154 lm
85516-104L	10W	NL 4000K	38°	1026 lm

DALI TRIAC LED IP20 0-10V RA>80 RA>90



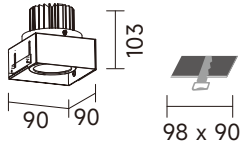
CODE	Watts	CCT	Beam	Lumen
85526-202M	10W * 2	WL 2700K	24°	1988 lm
85526-202L	10W * 2	WL 2700K	38°	2025 lm
85526-203M	10W * 2	WL 3000K	24°	2050 lm
85526-203L	10W * 2	WL 3000K	38°	2088 lm
85526-204M	10W * 2	NL 4000K	24°	2255 lm
85526-204L	10W * 2	NL 4000K	38°	2297 lm

DALI TRIAC LED IP20 0-10V RA>80 RA>90



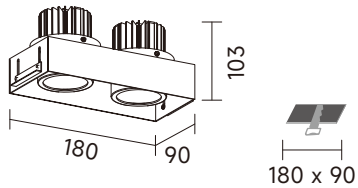
CODE	Watts	CCT	Beam	Lumen
85536-302M	10W * 3	WL 2700K	24°	2853 lm
85536-302L	10W * 3	WL 2700K	38°	2823 lm
85536-303M	10W * 3	WL 3000K	24°	2942 lm
85536-303L	10W * 3	WL 3000K	38°	2911 lm
85536-304M	10W * 3	NL 4000K	24°	3236 lm
85536-304L	10W * 3	NL 4000K	38°	3202 lm

DALI TRIAC LED IP20 0-10V RA>80 RA>90



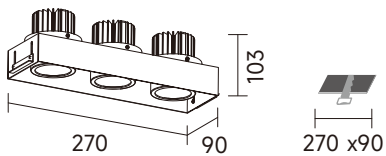
CODE	Watts	CCT	Beam	Lumen
85516T-102M	10W	WL 2700K	24°	1017 lm
85516T-102L	10W	WL 2700K	38°	905 lm
85516T-103M	10W	WL 3000K	24°	1049 lm
85516T-103L	10W	WL 3000K	38°	933 lm
85516T-104M	10W	NL 4000K	24°	1154 lm
85516T-104L	10W	NL 4000K	38°	1026 lm

DALI TRIAC LED IP20 0-10V RA>80 RA>90



CODE	Watts	CCT	Beam	Lumen
85526T-202M	10W * 2	WL 2700K	24°	1988 lm
85526T-202L	10W * 2	WL 2700K	38°	2025 lm
85526T-203M	10W * 2	WL 3000K	24°	2050 lm
85526T-203L	10W * 2	WL 3000K	38°	2088 lm
85526T-204M	10W * 2	NL 4000K	24°	2255 lm
85526T-204L	10W * 2	NL 4000K	38°	2297 lm

DALI TRIAC LED IP20 0-10V RA>80 RA>90



CODE	Watts	CCT	Beam	Lumen
85536T-302M	10W * 3	WL 2700K	24°	2853 lm
85536T-302L	10W * 3	WL 2700K	38°	2823 lm
85536T-303M	10W * 3	WL 3000K	24°	2942 lm
85536T-303L	10W * 3	WL 3000K	38°	2911 lm
85536T-304M	10W * 3	NL 4000K	24°	3236 lm
85536T-304L	10W * 3	NL 4000K	38°	3202 lm